

ARINC 408A INDICATOR CASES

STANDARD DIMENSIONS										
ATI CASE SIZE	FIG	B±.010	C±.010	D REF	E±.010	F±.010	R _s +.000 -.046 AVAIL.	T±10% AVAIL.	U±.005 V±.005	G +.015 -.005 (GLASS)
		BB±.010	CC±.010							
1.5x2	3	1.542	1.457	.428	1.963	2.048	.156R	.023T		
		2.260	2.175	-						
1.5x3 (½3) (DME)	3	1.542	1.457	.428	2.670	2.755	.125R	.025T		
		3.260	3.175	-						
2	1	2.260	2.175	.428	2.500	2.585	.063R	.026T	1.815	.062
	2								.695R	
2x4	3	2.260	2.175	.428	3.746	3.831	.063R	.028T		
		4.060	3.975	-						
3	1	3.260	3.175	.428	3.885	3.970	.063R	.028T	2.812	.093
	2								.695R	
3x4	3	3.206	3.175	.428	4.451	4.536	.063R	.049T		
		4.060	3.975	-						
4	1	4.060	3.975	.428	5.015	5.100	.063R	.035T	3.425	.125
	2								.049T	
4x5	3	4.060	3.975	.428	5.655	5.740	.063R	.049T		
		5.060	4.975	-						
5	1	5.060	4.975	.428	6.360	6.445	.063R	.049T	4.385	.125
	2								4.635	
5x6	3	5.060	4.975	.428	7.067	7.152				
		6.060	5.975	-						
6	1	6.060	5.975	.428	7.725	7.810				
	2									

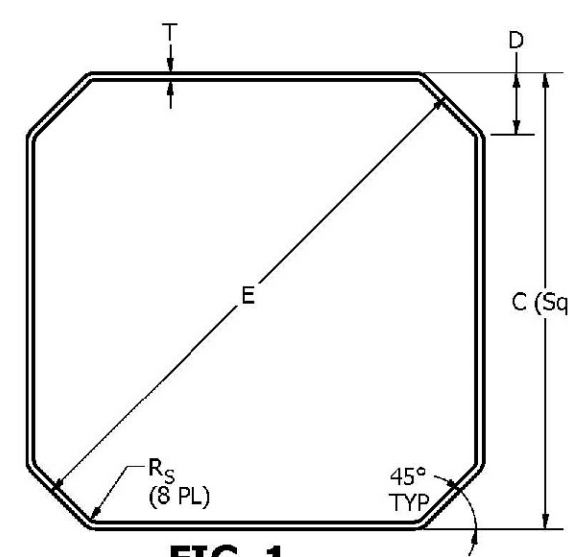


FIG. 1

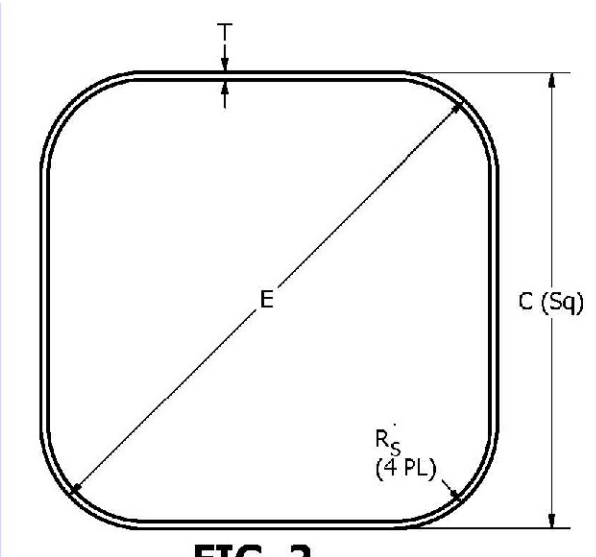


FIG. 2

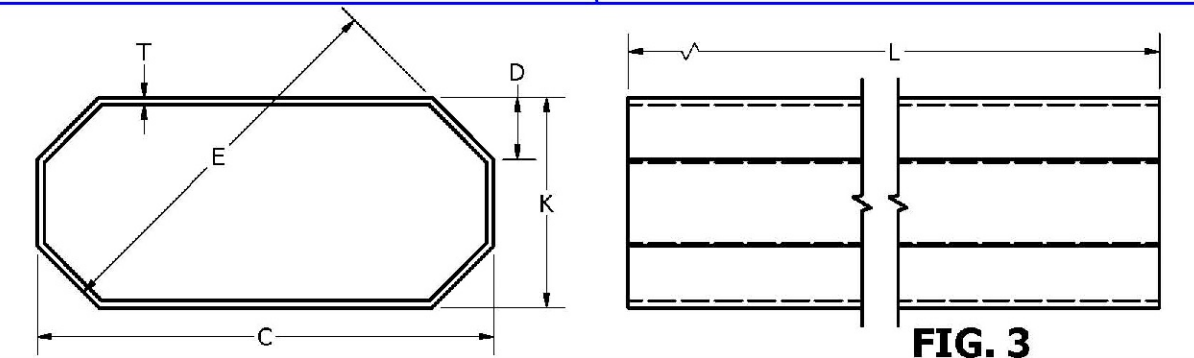


FIG. 3

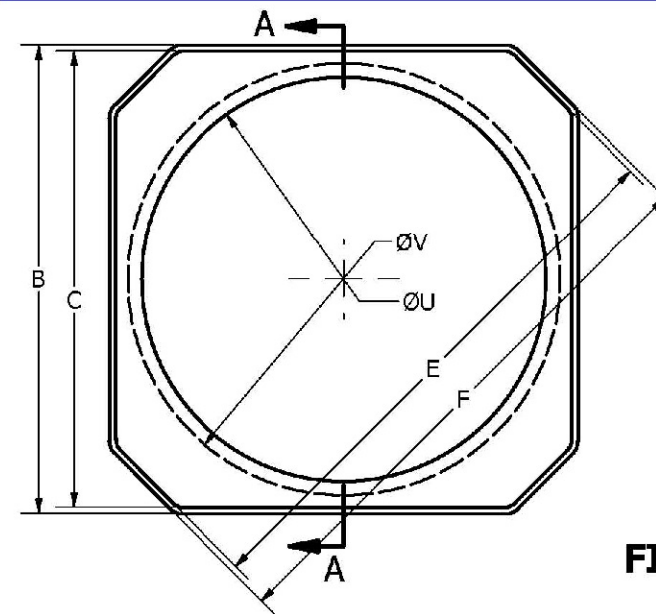


FIG. 4

